

20/21  
PRODUCTS

Product Catalogue

# Aluminum Louver

Type ( ALV )



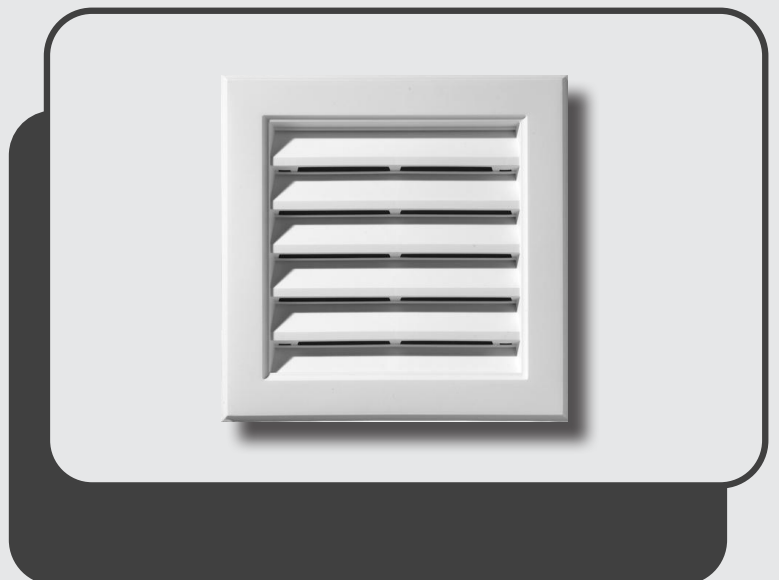
**Khedr Trust**  
ALL AIR PRODUCTS

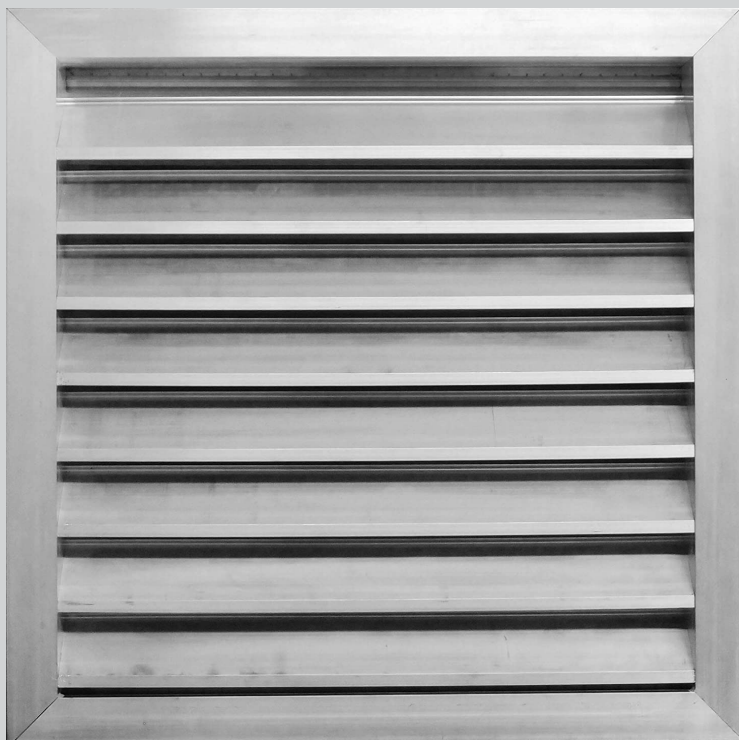
Aluminum Louver products are  
manufactured by



“Your comfort is  
our priority”

[www.khedr-eg.com](http://www.khedr-eg.com)





### Models

- ALV-EL - Exhaust & Supply Louvers
- ALV-AC - Acoustic Louvers
- ALV-PH - Penthouse Louvers



### Features

- Frame and blades are extruded aluminum alloy.
- Can be manufactured from GI or St.s as option.



# Aluminum Louver

## Model Design

Khedr Aluminum Louvers are designed for ventilation applications.

## Model Use

For supply applications can be provided with volume damper to control the amount of air.

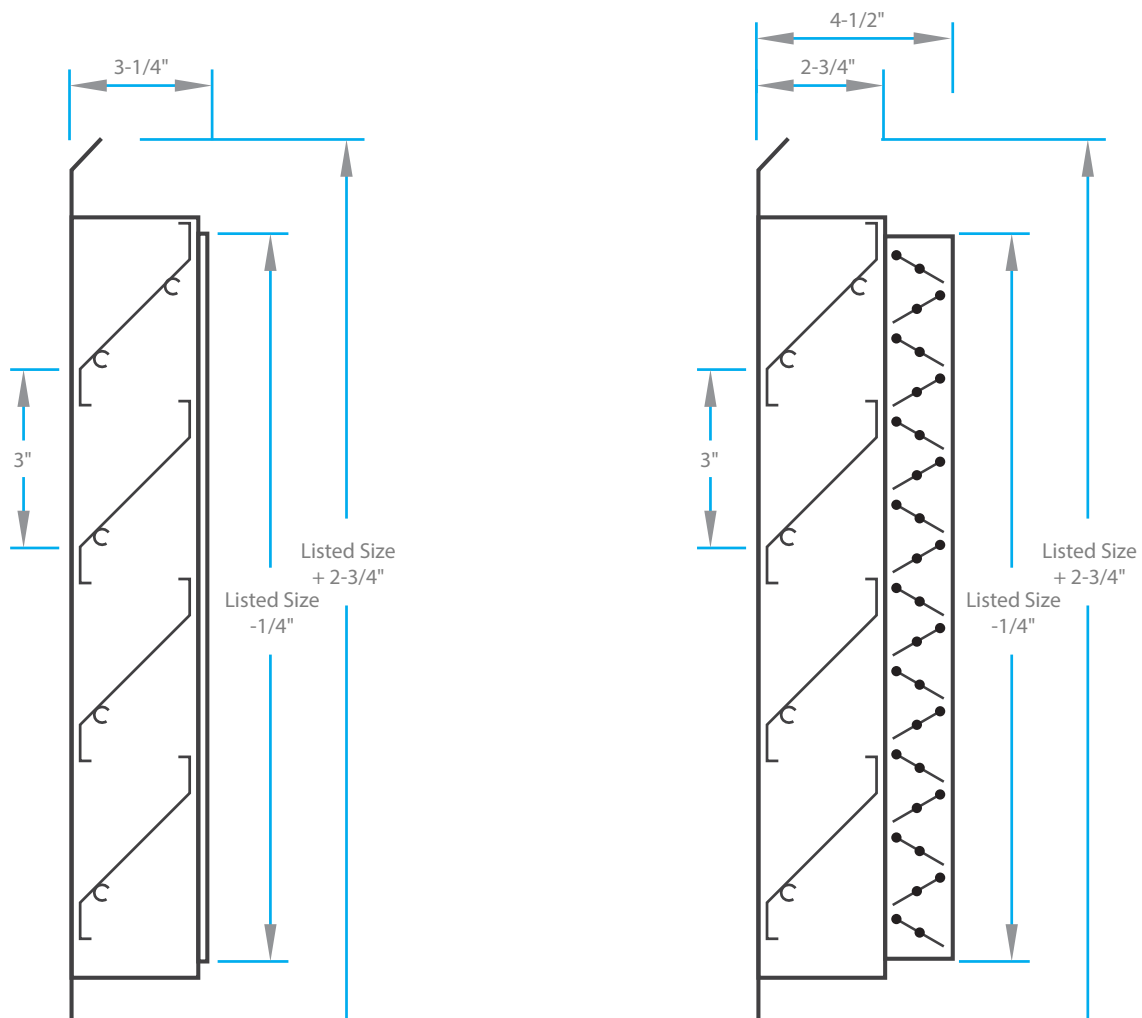
## Filters

Also can provided with suitable filters and bird screen.

**- Construction & Specs.**

**A- Type (ALV-EL) - Exhaust Louvers**

- Frame and blades are extruded aluminum alloy.
- The frame and blades have atypical wall thickness of 1/16".
- The blades are spaced 3" on center and are set at 45° to the horizontal.
- An expanded bird screen is attached to the interior face of the louver.

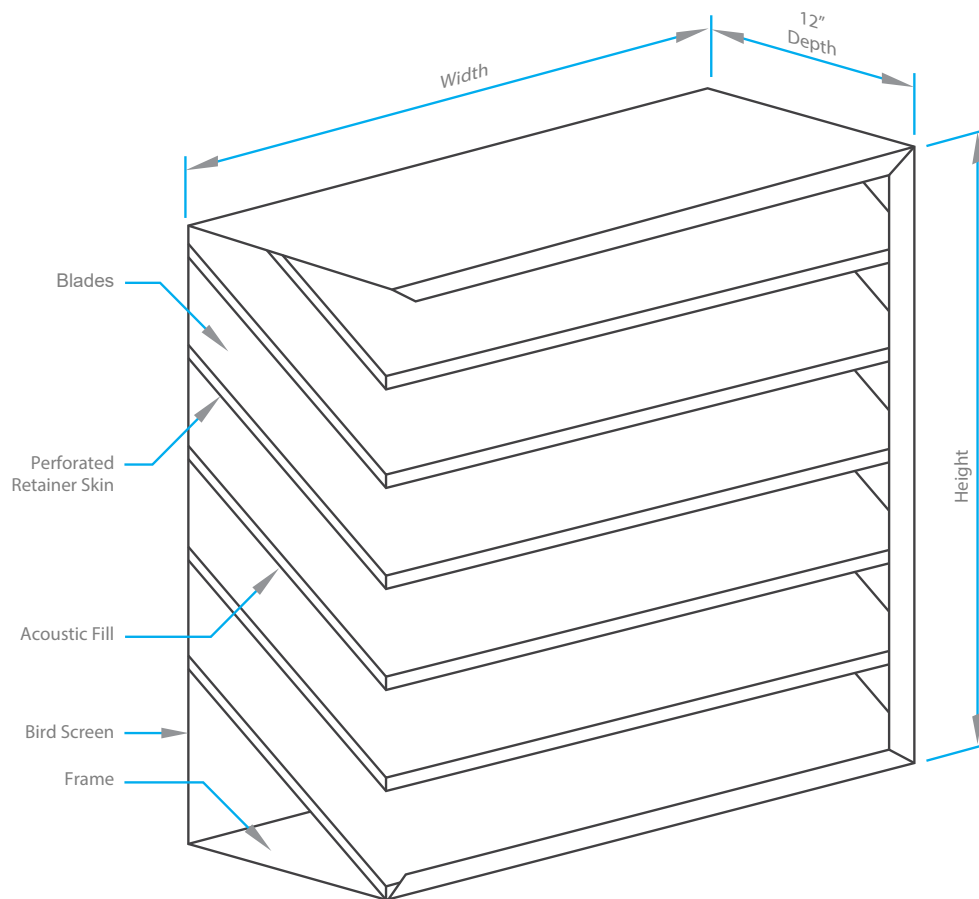


Fixed Blades with Bird Screen

Fixed Blades with Bird Screen and Volume Damper

## B. Type (AL-AC) – Acoustic Louvers

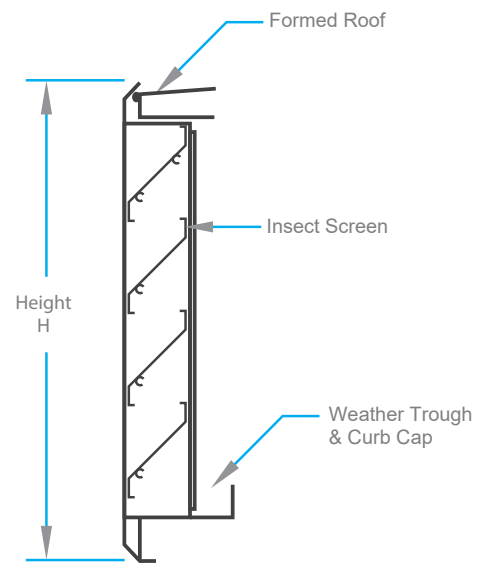
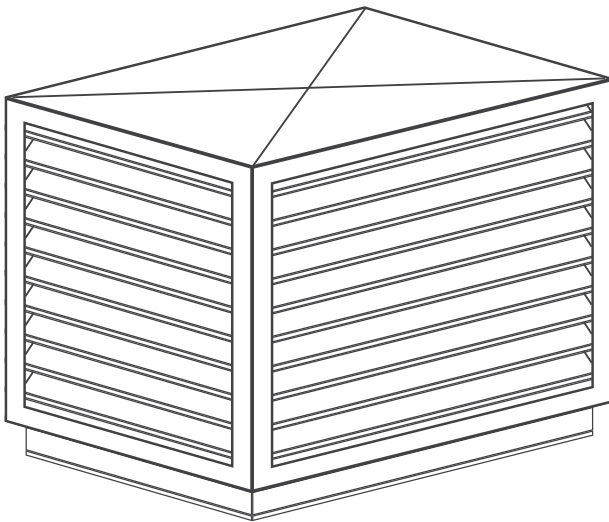
- Acoustic Louvers are designed for sound attenuation.
- The frame and blades have atypical wall thickness of 1/16”.



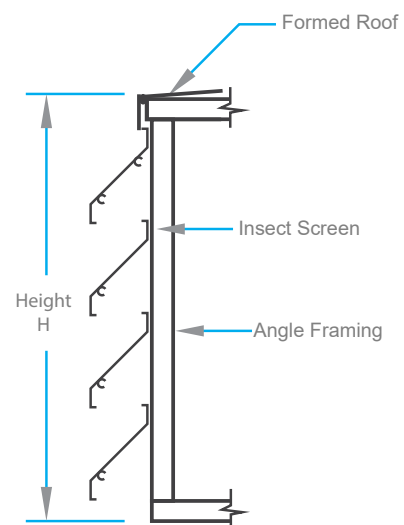
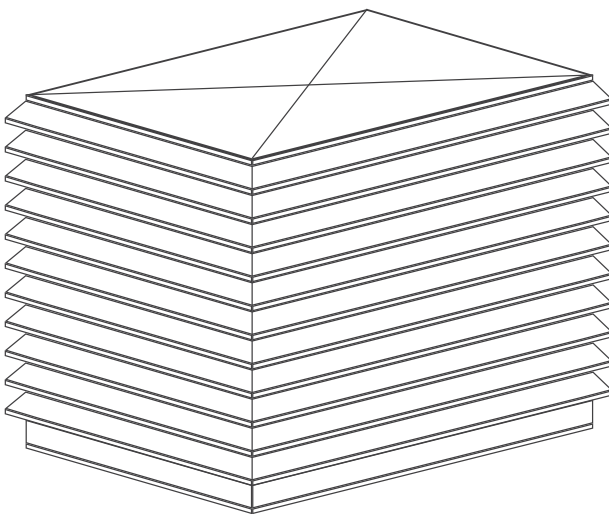
### C. Type (ALV-PH) – Penthouse Louvers

- Penthouse Louvers are designed for roof mounted units designed for air intake, pressure relief and exhaust applications.
- Frame and blades are extruded aluminum alloy.
- The frame and blades have atypical wall thickness of 1/16”.
- The top of the unit is covered with hinged access door for easy access.

#### A. Mullion Corner



#### B. Mitered Corner



## - Performance Data

### A- Type (ALV-EL) - Exhaust Louvers

Free Area "Ft<sup>2</sup>"

Height (Inch)	Width (Inch)												
	12	14	16	18	20	24	30	36	42	48	54	60	72
12	0.22	0.26	0.30	0.34	0.38	0.46	0.58	0.70	0.82	0.94	1.06	1.18	1.42
16	0.37	0.43	0.50	0.57	0.64	0.77	0.98	1.18	1.38	1.59	1.79	1.99	2.40
20	0.52	0.61	0.71	0.80	0.90	1.09	1.38	1.66	1.95	2.24	2.52	2.81	3.38
24	0.67	0.79	0.91	1.04	1.16	1.41	1.78	2.15	2.52	2.89	3.26	3.63	4.37
28	0.82	0.97	1.12	1.27	1.42	1.72	2.18	2.63	3.08	3.54	3.99	4.44	5.35
32	0.97	1.04	1.32	1.50	1.68	2.04	2.58	3.11	3.65	4.18	4.72	5.26	6.33
36	1.12	1.32	1.53	1.74	1.94	2.36	2.98	3.60	4.22	4.84	5.46	6.08	7.32
40	1.27	1.50	1.73	1.97	2.20	2.67	3.38	4.08	4.78	5.49	6.19	6.89	8.30
44	1.41	1.68	1.94	2.20	2.46	2.98	3.78	4.55	5.34	6.12	6.91	7.69	9.26
48	1.57	1.86	2.15	2.44	2.73	3.31	4.18	5.05	5.92	6.79	7.66	8.53	10.27
52	1.72	2.03	2.35	2.67	2.99	3.62	4.58	5.53	6.48	7.44	8.39	9.34	11.25
56	1.87	2.21	2.56	2.90	3.25	3.94	4.98	6.01	7.05	8.08	9.12	10.16	12.23
60	2.02	2.39	2.76	3.14	3.51	4.26	5.38	6.50	7.62	8.74	9.86	10.98	13.22

Aluminum Louver products are manufactured by Khedr Trust Co.

## B. Type (ALV-AC) – Acoustic Louvers

### i. Pressure Drop

Face Velocity "FPM"	100	150	200	250	300	350	400	450	500	550	600
Pressure Drop "In. W.G"	0.008	0.012	0.024	0.036	0.052	0.068	0.092	0.112	0.140	0.168	0.200

### ii. Transmission Loss

Octave Band Number	1	2	3	4	5	6	7	8
Center Frequency "Hz"	63	125	250	500	1000	2000	4000	8000
Transmission Loss "dB"	5	5	7	12	18	21	16	16

## C. Type (ALV-PH) – Penthouse Louvers

### i. Pressure Drop

Face Velocity "FPM"		200	300	400	500	600	700	800	900	1000	1100	1200	1300	1400	1500
Pressure Drop "In. W.G"	Intake	0.007	0.016	0.028	0.044	0.062	0.087	0.112	0.143	0.173	0.212	0.252	0.296	0.344	0.395
	Exhaust	0.007	0.018	0.031	0.049	0.069	0.096	0.124	0.158	0.192	0.235	0.279	0.328	0.381	0.436

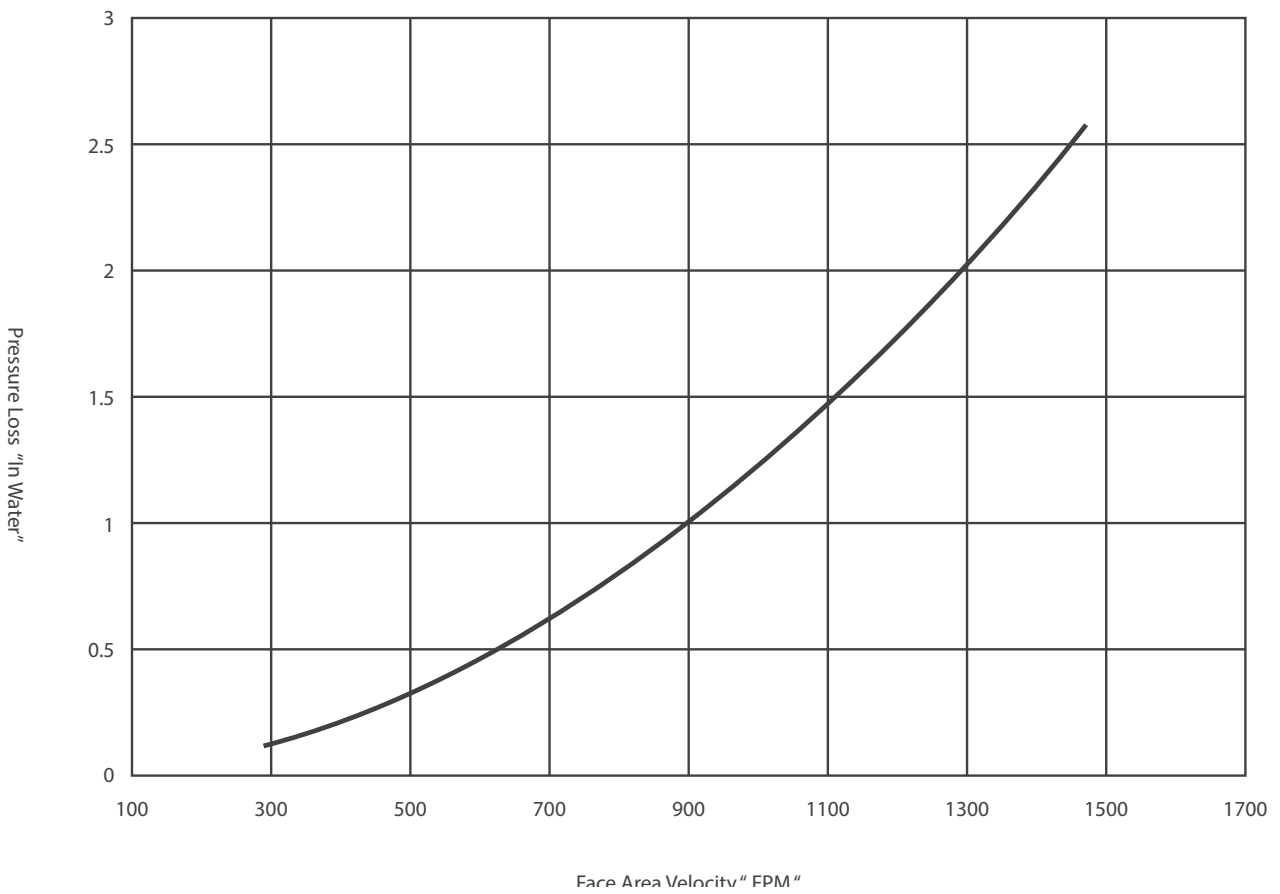


**- Aerodynamic Data**

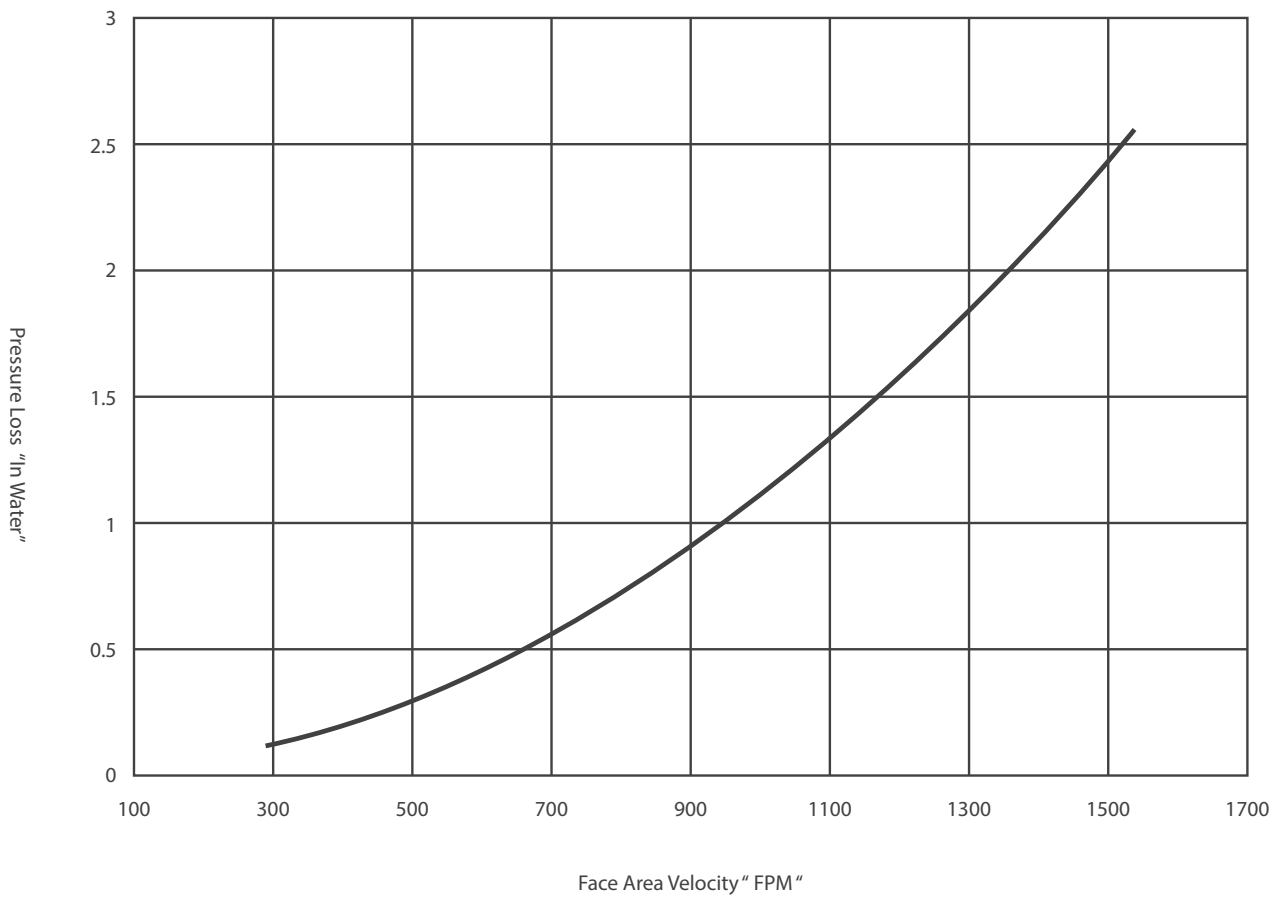
**A. Type (ALV-EL) – Exhaust & Supply Louvers**

Pressure Drop

1. Supply Louvers



## 2. Exhaust Louvers



**- How to order**

<b>Type</b>	ALV-EL	ALV-EL ALV-AC ALV-PH	Exhaust Louver Acoustic Louver Penthouse Louver
<b>Size</b>	24 X 24	Size Inch"	
<b>Finish</b>	1	0 1 2	Aluminum White Color Other Colors
<b>Damper</b>	0	0 1	Without Damper With Damper

Aluminum Louver products are manufactured by Khedr Trust Co.

Other Products are provided by Khedr Trust Co.

#### Diffusers & Grills

Slot Linear Diffuser  
Eye Ball Diffuser  
Circular Ceiling Diffuser  
Swirl Diffuser  
Perforated Ceiling Diffuser  
Jet Diffuser  
Square Ceiling Diffuser  
Disc Valve Diffuser  
Linear Bar Grill  
Supply / Return Grill  
Door Grill

#### Louvers

Aluminum Louver  
Sand Trap Louver

#### Dampers

Volume Damper  
Fire Damper  
Smoke Motorized Damper  
Shutter Damper  
Pressure Relief Damper

#### Special Parts

Sound Attenuator  
Plenum Box

#### Duct Works

Galvanized Steel Duct  
Black Steel Duct  
Stainless Steel Duct  
Spiral Duct  
Flexible Duct  
Canvas  
Flanges  
Flexible Duct Connector



# Khedr Trust

ALL AIR PRODUCTS



Alqanater Alkhairia roads.Industrial Area. Behind Cocacola Co.. Cairo, Egypt

Mailing Address : P.O.Box 13621. Cairo 11511 - Egypt

Tel : +202 42452022

Mob : +2010 29999054 / +2010 29999056

+2010 29999057 / +2010 29999058

E-Mail : info@khedr-eg.com

 / khedr.co

www.khedr-eg.com

